

CPF

Computerized Clutch Pedal Test System

General description

Computerized system designed for on board clutch pedal characterization. Automatic measurement of the load and displacement with X/Y on line graphics.

All the setting parameters are user programmable to be compatible with all different kind of automotive application.

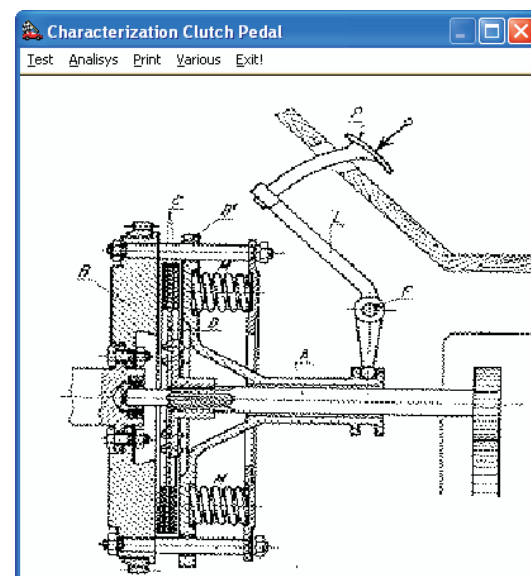
A power full notebook, included in the system, allow to store data, setting, post process all the acquired data with a complete report generator.



CPF System

Features

- Automatic and manual test
- Stroke and load transducer inputs
- Push button for manual acquisition (start inputs)
- AC or DC powerable (12VDC battery with integrated charger)
- Communication with PC via Ethernet port
- Auxiliary sensor input available (customer configurable)
- Stroke vs load graphs
- Real time monitoring



CPF Software

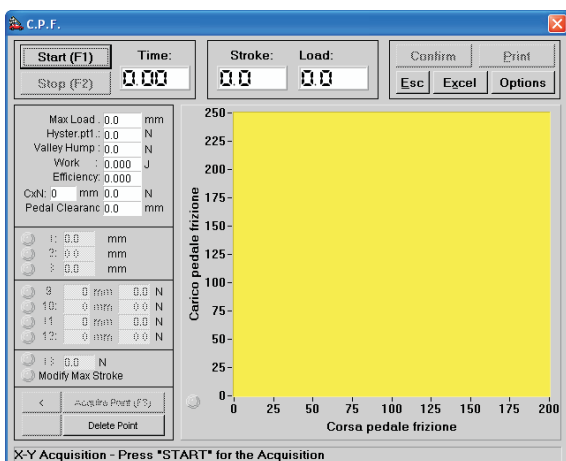
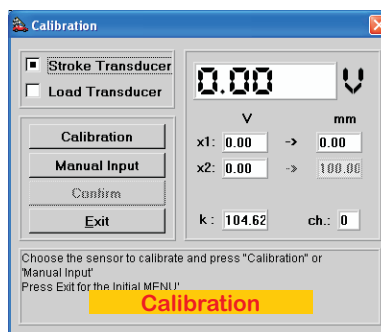
CPF

Computerized Clutch Pedal Test System

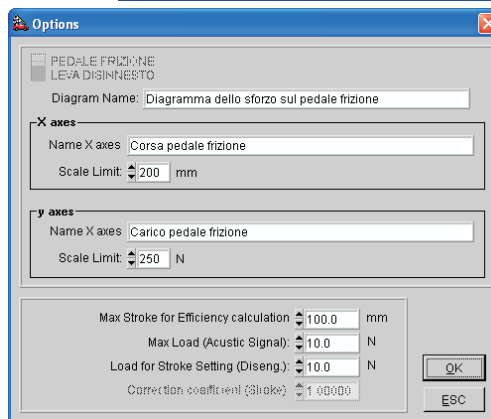
Software

Windows based user friendly software with the following main function:

- Test, from this menu are available
 - Transducer calibration
 - Acquisition parameters, before a test the user have to define all the parameter available for the analysis



Acquisition



Setup

- Analysis
 - CPF software automatically recognize the main characteristic point on the stroke / load graphic with automatic calculation of typical hysteresis data curve
- Print
 - CPF software automatically generate graphics and data reports user configurable

AZIENDA CERTIFICATA
UNI EN ISO 9001:2000

SINCERT

CSICERT

